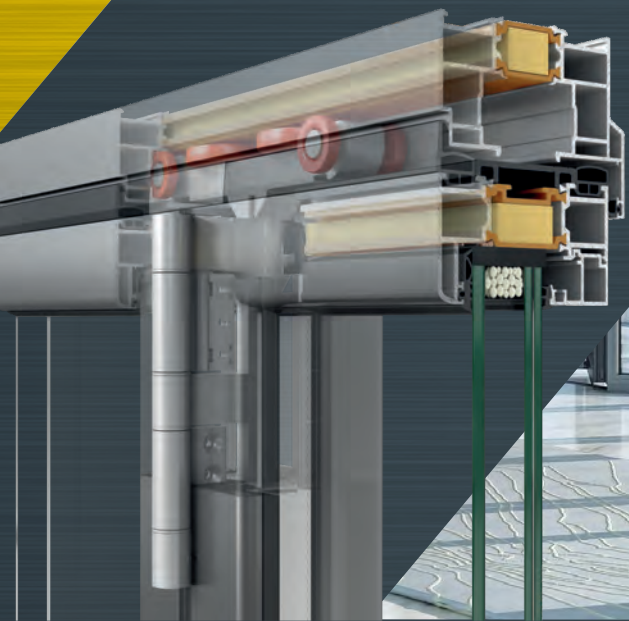


# Alumil

## SUPREME SF85

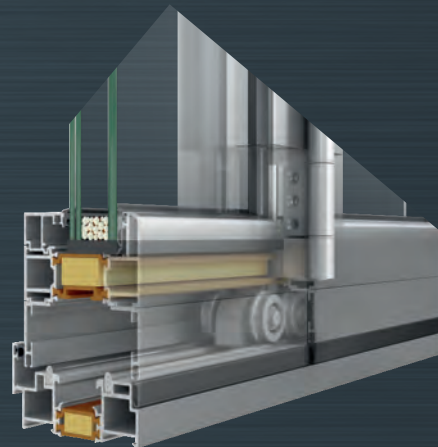


### INSULATED BI-FOLDING SYSTEM

The system SUPREME SF85 is the latest proposal for bi-folding doors, insulated and bottom-slide, for heavy duty constructions and high-end projects. An elegant system which is characterized by extremely high performance and offers a variety of ideal solutions to the demanding bi-folding doors market.

- Minimal design with less aluminium for much better sight line (vent/vent 105 mm and frame/vent 110 mm).
- Achieves very large dimensions in terms of high (4.0 m) and vents width due to the heavy-duty roller-hinge (200 Kg per vent).
- Extremely high performance in terms of air-permeability, wind load resistance and watertightness.
- Top thermal insulation  $U_f = 1.5 \text{ W/m}^2\text{K}$ .

- Incomparably easy fabrication and installation.
- Flawless functionality due to the sophisticated design and the state-of-the-art equipment.
- Burglar protection based on the robust construction, 5-point lock and the double vent locking.



# alumil

**SUPREME  
SF85**

## TECHNICAL CHARACTERISTICS

Sash width	85 mm
Frame width	85 mm
Sash - sash width	105 mm
Frame - sash width	110 mm
Glazing	28 to 58 mm
Maximum weight	200Kg/ vent
Insulation	Polyamides 30/40mm width, Kooltherm, PE insulation foam
Thermal Insulation $U_i$	1,5 W/m <sup>2</sup> K
Enhanced security performance	PAS 24

## TYOLOGIES

- n+0, n+1, n+n ("n" equals to odd numbers)
- Folding to both sides
- Opening outside or inside
- Pass door incorporated

Luxury  
HOTEL

### ALUSMART

51 FURNISS ROAD  
DARCH WA 6065  
TEL: 1800 ALUSMART  
[www.alusmart.com.au](http://www.alusmart.com.au)

### ALUMIL SA Head Offices

8 Gogousi str. GR 56429  
Efkarpia, Thessaloniki  
T +30 2313 01 1000  
F +30 2310 692473

[www.alumil.com](http://www.alumil.com)  
[info@alumil.com](mailto:info@alumil.com)